



ELEMENT SIX PERFORMANCE TOOLS (ROAD, MINING & WEAR)

January 2019

ROAD, MINING & WEAR PART CAPABILITIES

Over 60 years experience

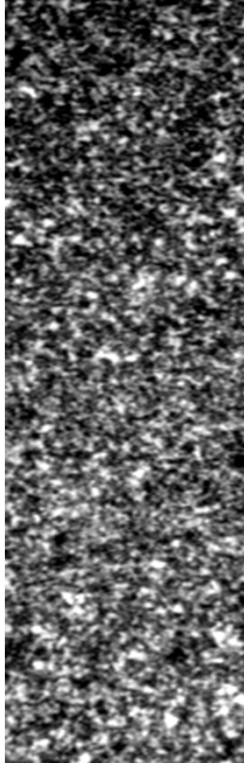
CENTER OF EXCELLENCE IN MANUFACTURING PERFORMANCE TOOLS IN BURGHAUN, GERMANY

- Founded in 1952 / 340 employees
- Sintered Carbide output: 1,000 t
- ~7.000 different Products
- More than 40 carbide grades
- Unit carbide weights from 0.5 gr to 1 t
- Focus on long-term Partnerships -
Average Customer lifetime 10+ years
- Experienced Customer, Technical &
Application Service Teams
- Converting customers to game-changing
products

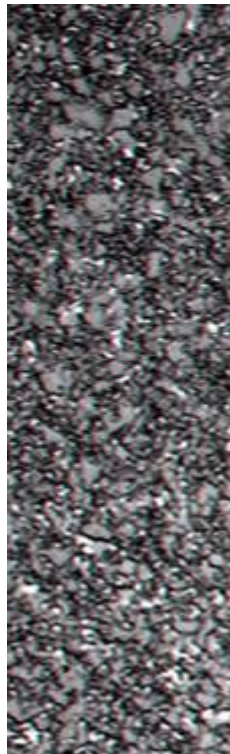


OUR TUNGSTEN CARBIDE GRADE PORTFOLIO COVERS THE ENTIRE RANGE OF TODAY'S MATERIALS

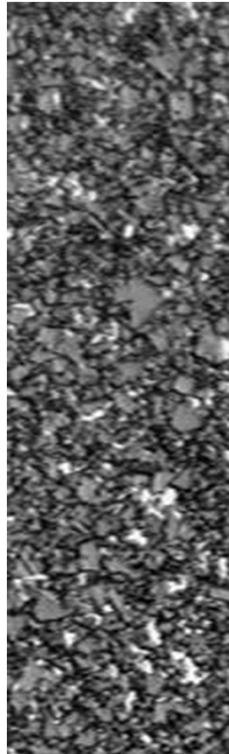
WC-5%Co
0.2 μ m



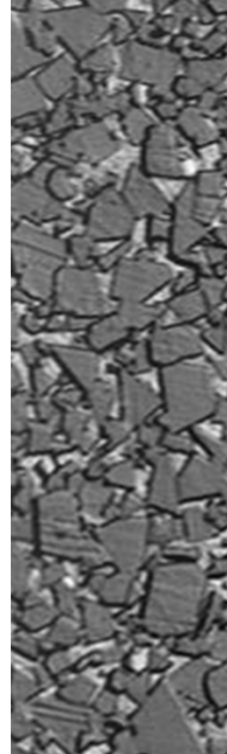
K06
0.6 – 0.8 μ m



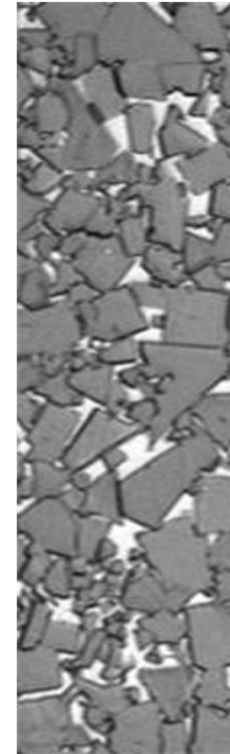
G20
2.5 μ m



B25
6 μ m



BH9
10 μ m



B20N
25 - 50 μ m



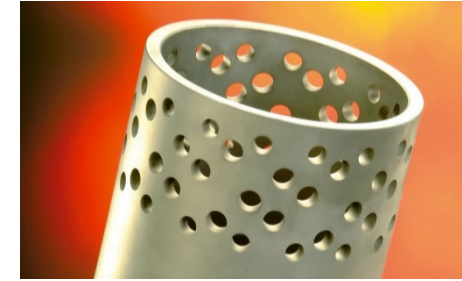
PERFORMANCE TOOLS - BUSINESSES

ROAD

MINING

WEAR PARTS

Our products



Applications



MINING – CARBIDE INSERTS

**INSERTS FOR
PERCUSSIVE DRILL BITS**



**INSERTS FOR
SOFTROCK TOOLS**



INSERTS FOR TBM's



INSERTS FOR TRICONE BITS



MINING – ROUND ATTACK PICKS & DRILL BITS

SURFACE MINING



BLAST HOLE DRILLING



LONGWALL MINING



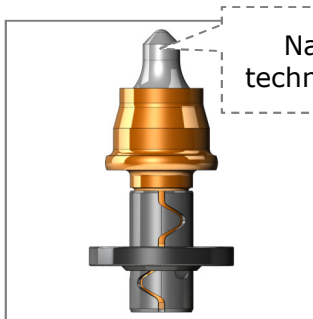
ROOF BOLTING



ROAD – OUR PRODUCT RANGE MEETS CUSTOMER NEEDS



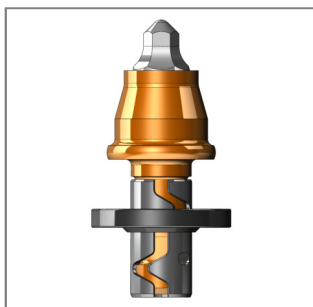
Exceeding 40 times
standard pick life



Nano
technology

MasterGrade

Outperforms standard
picks by up to 50%.



T- Series

Multi purpose popular
pick range



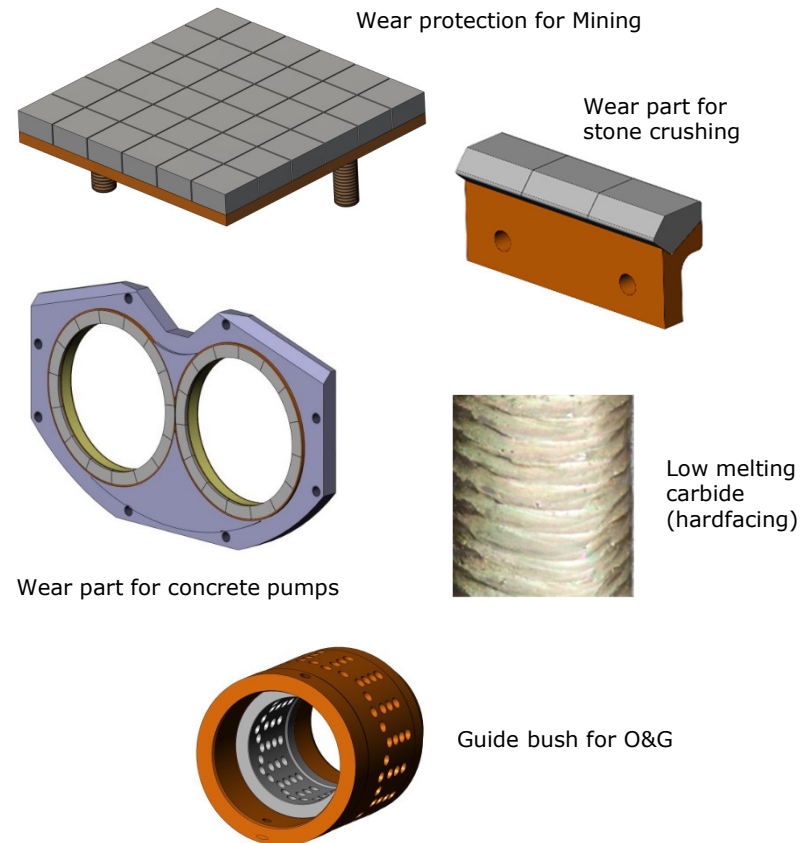
WEAR PARTS

“EXTENSIVE IN HOUSE MANUFACTURING CAPABILITIES”

ELEMENT SIX CAPABILITIES

- Long term experience in manufacturing customised components for industries like
 - Mining
 - Construction
 - Oil & Gas
 - Tunnelling
 - Agriculture & Forestry
 - Recycling
- All key processes in house
 - Carbide forming
 - Grinding and polishing
 - EDM Cutting
 - Steel Machining
 - Brazing
 - Welding
- Flexibility in terms of delivery times

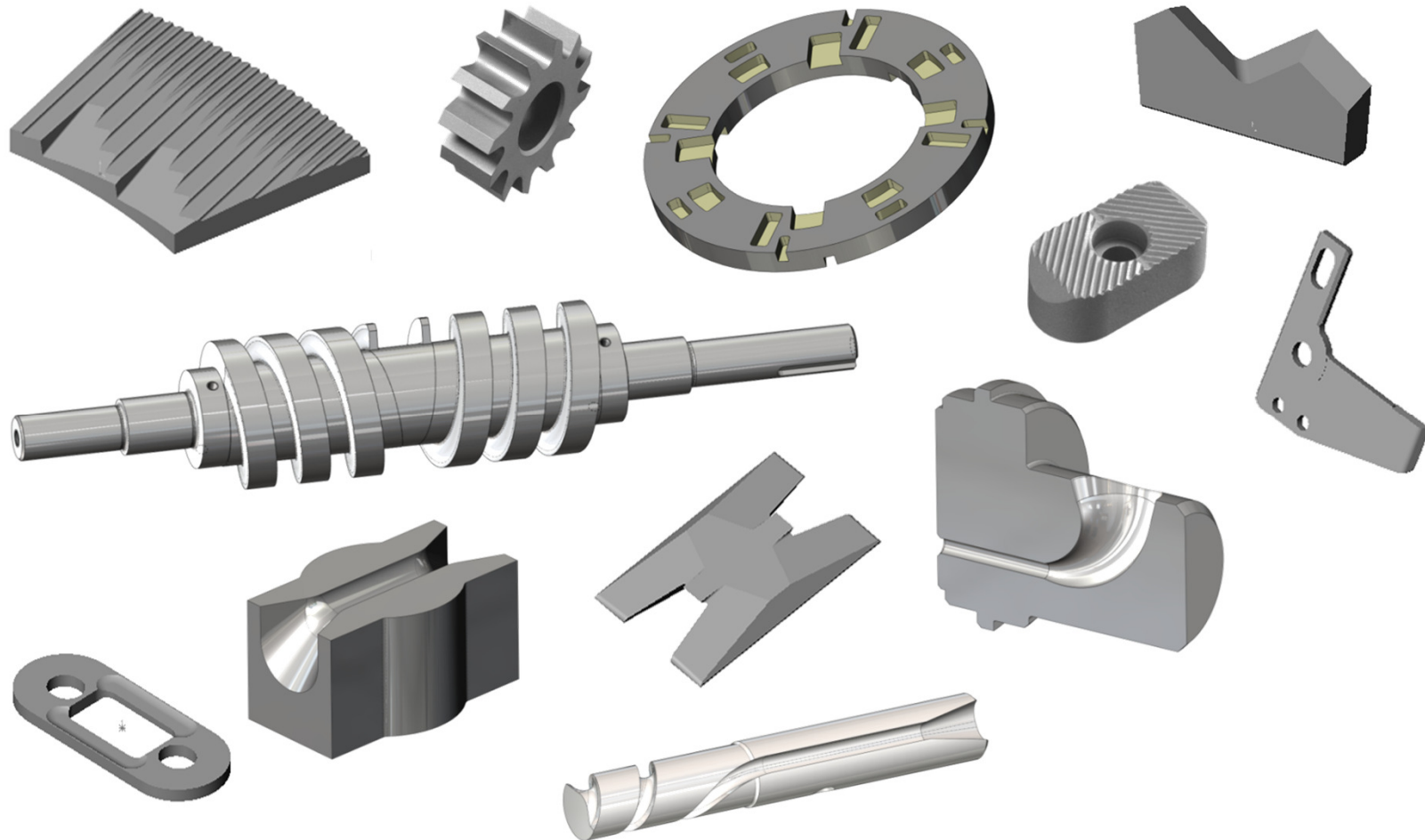
PRODUCT EXAMPLES



WEAR PARTS

Very diverse product and capability range

— *Lots of customized products*



The background features a series of overlapping, semi-transparent geometric shapes in shades of light gray and white, creating a layered, architectural effect. A bright, white light beam originates from the left edge and tapers as it points towards the center, highlighting the logo.

elementsix™
a De Beers Group Company